

TURBO RACING

1:76 MINI REMOTE CONTROL OFF-ROAD VEHICLE

C81/C82

INSTRUCTION MANUAL



14+
CADPA

Age-appropriate tips

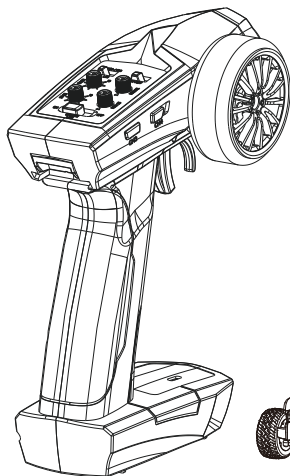
www.turboracing.net

Please read the manual before using the product and keep the manual for future use.

Safety information

- Movable parts are dangerous, so it is forbidden to put fingers、hair、clothes and other things into the space between the tire and the car body, to avoid being clamped by the rotating parts.
- Please play the car with the following scene:
Please don't play in places where the car is running or near children, then avoid the risk of collision.
Please don't play it in sand、water or dust, then avoid trouble.
Please don't play towards people or animal, then avoid accident.
- For functional requirements, this product contains sharp parts, please follow the correct steps and use methods, pay attention to eye safety.
- Please don't bend or throw the product or play it with rough ways, then avoid an accidents.
- Please don't put this product into water or fire source(such as stove、gas stove,etc.), then avoid accidents.

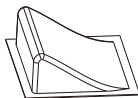
The package contains



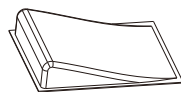
1*Transmitter



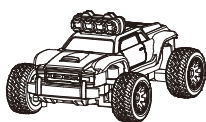
1*Manual



No. 1 Jumping platform x 2
130x140x50mm



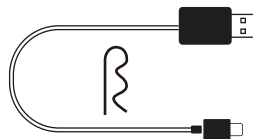
No. 2 Jumping platform x 2
170x135x40mm



1*Car



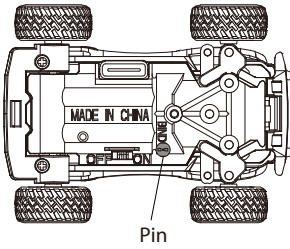
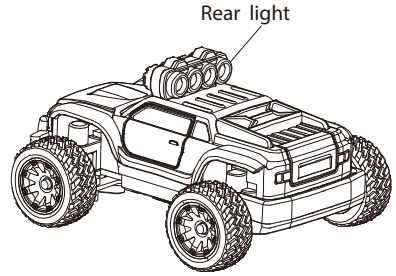
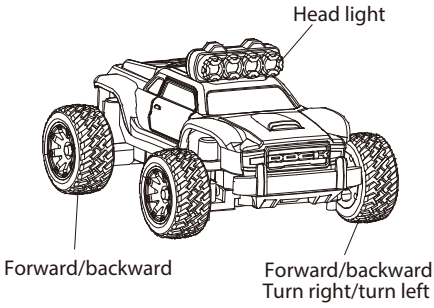
Charging connector x1



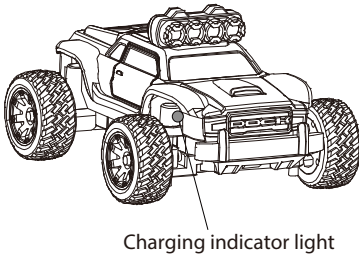
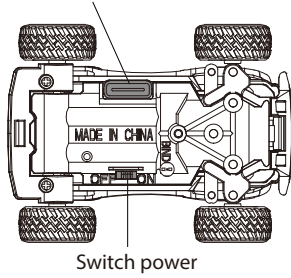
1*Type-C line + 1*Bind

Function description

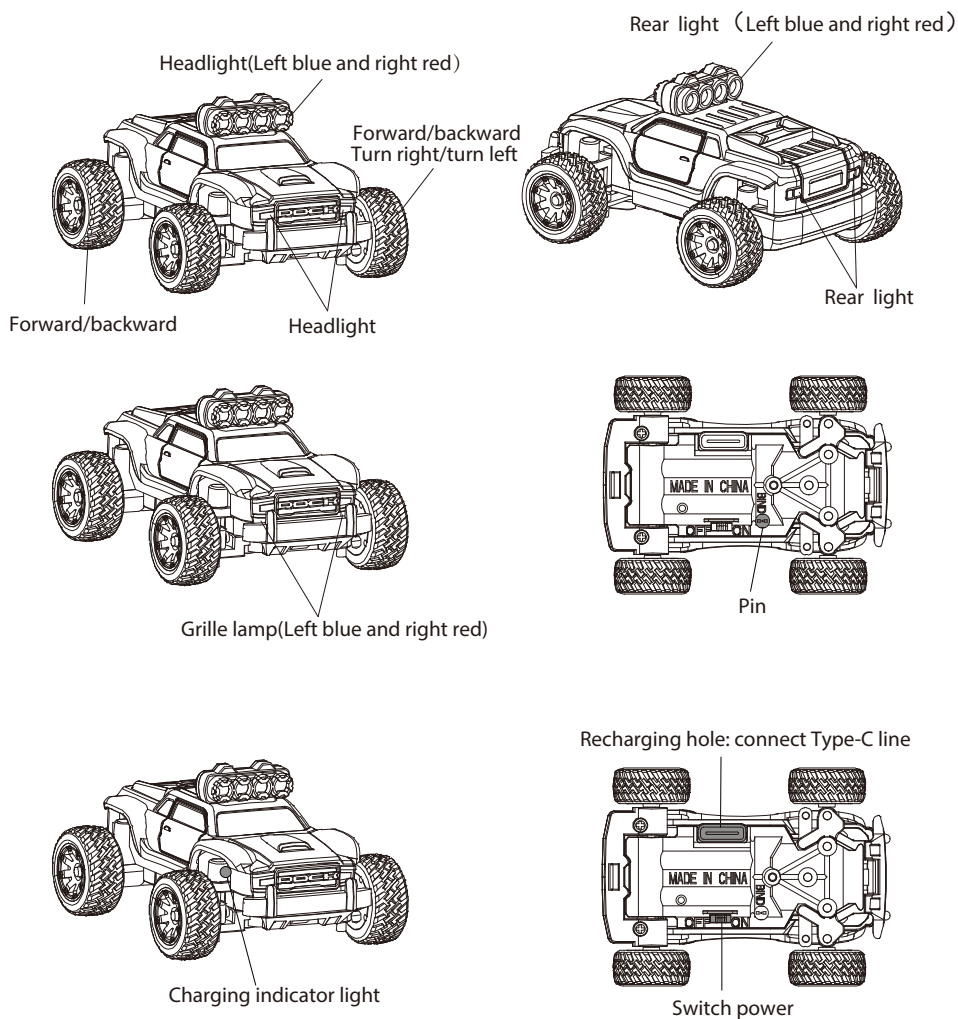
C81-Function description



Recharging hole: connect Type-C line



C82-Function description

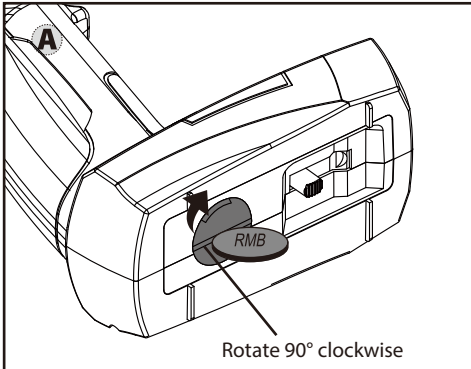


Prepare for run

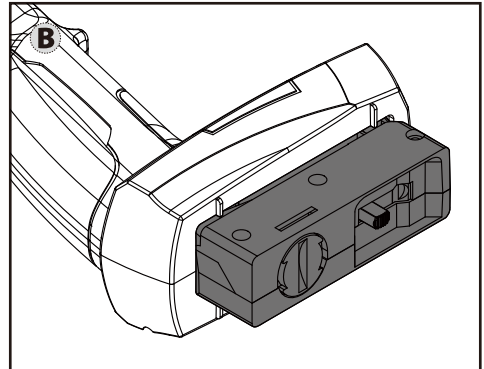
1 Transmitter battery installation

This remote uses AAA battery or Ni MH battery, when the voltage is lower than $4.5V \pm 0.2V$, the LED starts flashing.

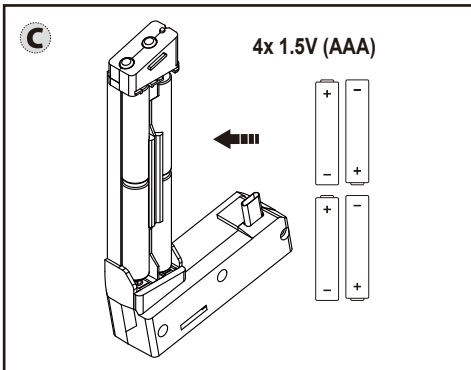
1 Transmitter battery installation. (Picture A-D)



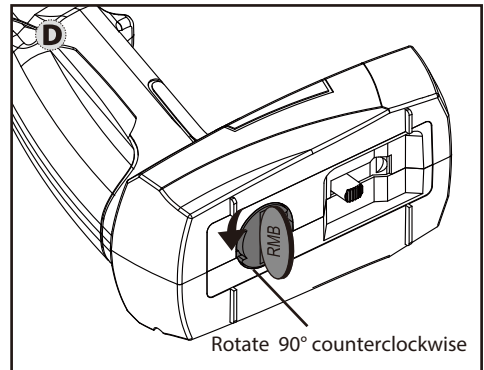
A. Turn the coin button clockwise 90°



B. Take out the battery box from the bottom of the remote



C. Install four AAA batteries according to the polarity mark on the battery case bracket



D. Install the battery box. Insert the battery box into the handle and rotate coin button 90° counterclockwise. The battery box is installed.
Note: Type-C port is aligned with the bottom hole

⚠ WARNING: DO NOT ATTEMPT TO CHARGE A NON RECHARGEABLE BATTERY, OR IT WILL EXPLODE.

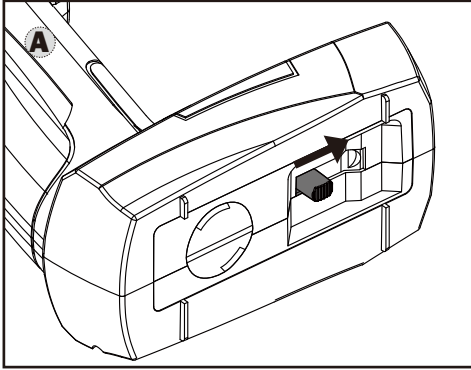
⚠ WARNING :DO NOT KEEP THE BATTERY IN THE BATTERY COMPARTMENT FOR A LONG TIME TO AVOID BATTERY OXIDATION AND DAMAGE THE PRODUCT.

2 Charging

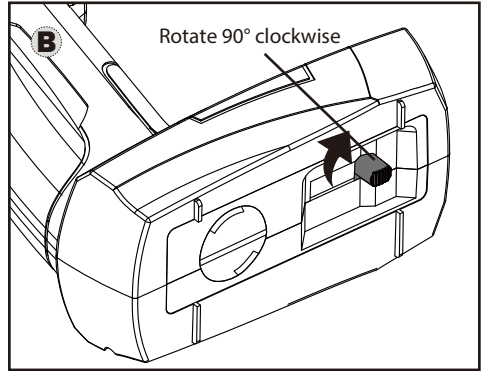
When the car is in power off status, it can be charged in the following two ways; (Please charge the RC car for the first time you use.)

Tip: When the car is power on, it will not be charged when charging power is inserted. If need charge the car, the car's power switch must be turned "OFF".

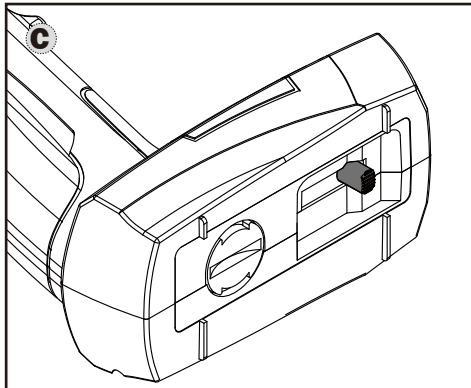
1. Use the hidden Type-C port on the remote to charge the car. (Picture A-G)



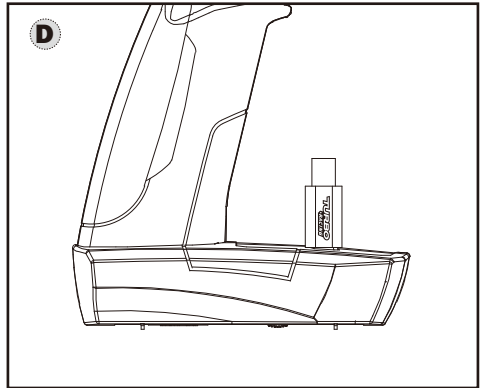
A. Push the charging rod forward to the bottom.



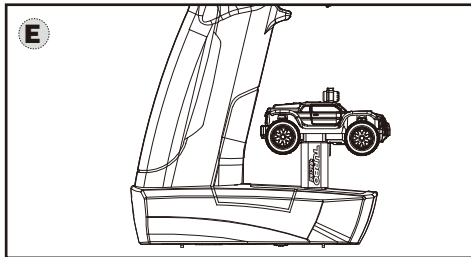
B. When the push rod on the bottom, then rotate the push rod 90° clockwise



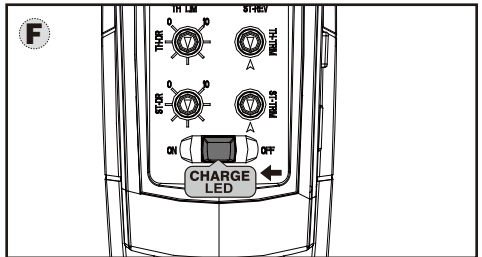
C. The push rod rotate 90° clockwise done, launch port finished.



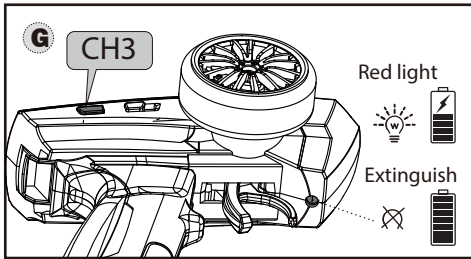
D. Plug the charging connector into the remote control port



E. Align the vehicle charging port and insert.



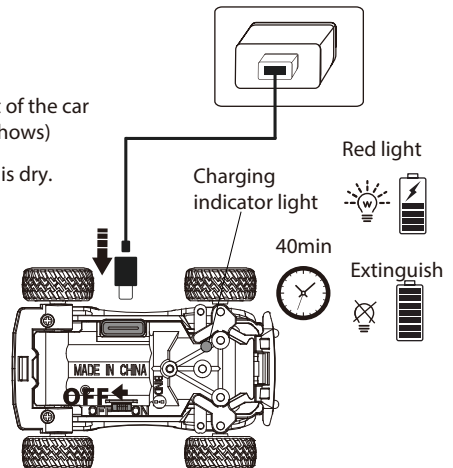
F. After the vehicle is plugged into the charging port, switch the remote switch to the charging mode.



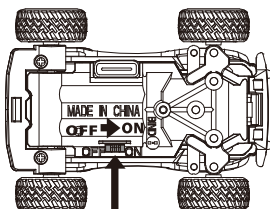
G. Then the default red led of the remote is long light. If the charging led light of the remote is off, means the charging is completed. (Short press channel 3 to switch the color of the multi-color light, long press channel 3 to switch the breathing light).

2. Insert the attached charging cable into the charging port of the car and connect the power supply for charging. (as picture shows)

Note: Before charging the car, make sure the charging plug is dry. Do not leave when charging the car.



3 Turn on/off the power of the car



Switch power

If the rear light of the car stays on, it indicates that it's connected with the remote control.

If the rear light of the car is flashing, please check whether the power of remote control has been turned on. If yes, you need to re-code the remote control with the car. (See page 9 for details)

Turn off the car: Turn off the power switch, (switch to "OFF" position), the LED goes off and the the car is power off.

Operation Note

Note: If you're the first time to use the 1:76 RC sports car, please take a few minutes to read this statement carefully to get familiar with different features of this operation system.

Multi function indicator LED
Reminder: The remote control uses AAA or Ni-MH battery. When the voltage is lower than $4.5V \pm 0.2V$, the multi-function LED indicator light will flash quickly, please replace the battery.

Three section throttle speed limit switch: 20% / 50% / 100%.

Throttle DR: throttle DR is used to adjust the throttle stroke and set the car speed freely.

Steering DR: steering DR is used to adjust the steering angle of the front wheels to make the car reach the best turning radius.

Steering Rev: use the reverse steering switch to reverse the left and right directions.

Throttle fine adjustment: when the trigger is in the neutral position, if the car moves forward or backward, please use the throttle fine adjustment.

Steering fine adjustment: when the adjusting wheel is in the neutral position, if the front wheel is not go straight line, please use steering fine adjustment.

On/Off Switch: turn on / charge switch / turn off the transmitter

Disassemble the remote : the handle can be disassembled (as shown in picture 1)

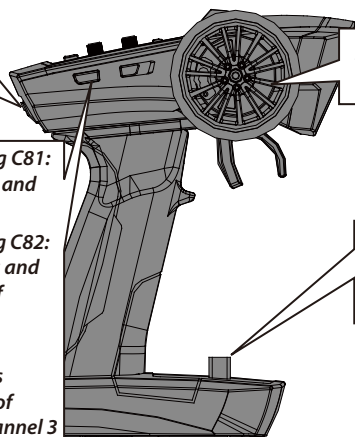
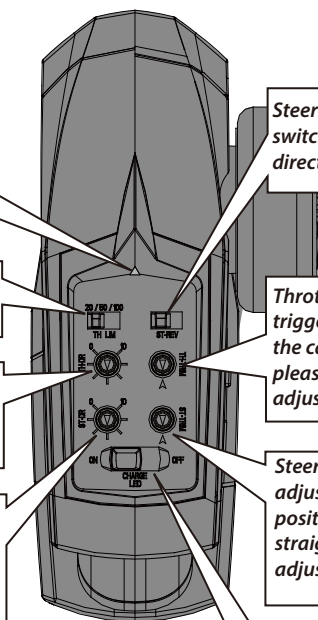
Steering wheel: control left / right steering

Channel 3 key (CH3) When using C81: Control the vehicle's headlights and turn them on/off.

Channel 3 key (CH3) When using C82: Control the front and rear lights and grille lights of the vehicle, On/off flashing.

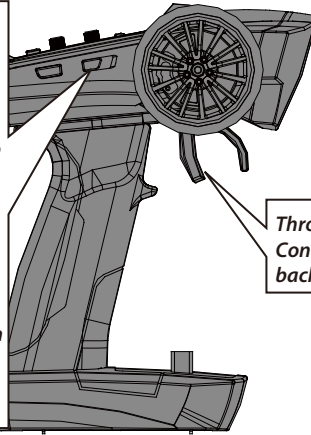
C81/C82 in charge state: Channel 3 key (CH3), short press Channel 3 key, Switch the color of multi-color light; Long press channel 3 Key to switch the breathing light.

Type-C charging port: hidden port for charging the car (as shown in picture 2)

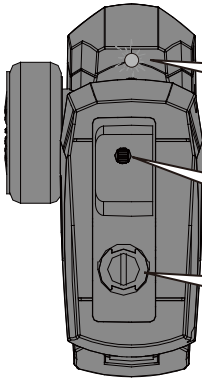


Channel 4 key (CH4) When using C81:
Prompt: Channel 4 is a three-segment switch.
 A section of switch turns off the vehicle's headlights;
 The second switch turns on the rear lamp;
 The three-section switch controls the headlamp to flash twice quickly.

Channel 4 key (CH4) When using C82:
Prompt: Channel 4 is a three-segment switch
 A section of switch turns off the front and rear headlights of the vehicle;
 The front and rear headlights of the vehicle will be on for a long time when the two-stage switch is turned on;
 The three-section switch controls the front and rear headlights of the vehicle to flash.



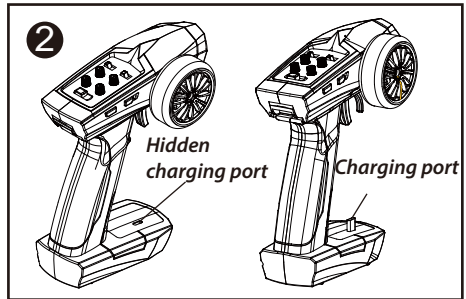
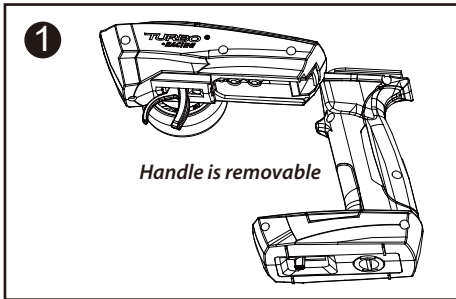
Throttle:
 Control forward / brake / backward.

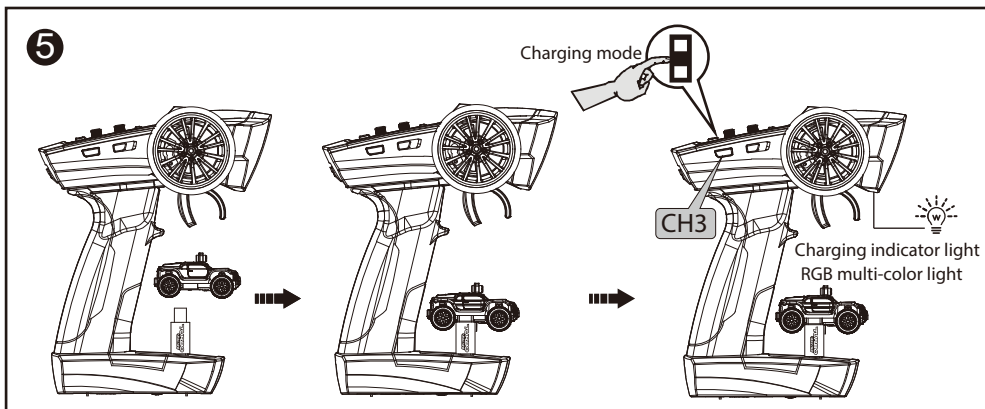
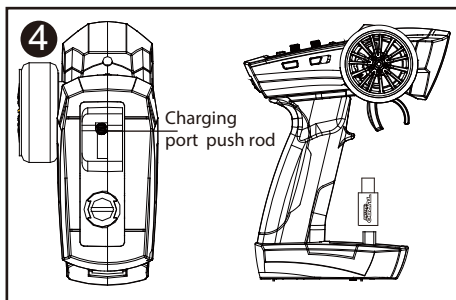
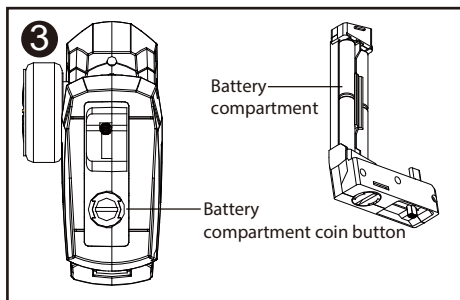


Charging indicator: in charging state, press channel 3 key to switch the color of the indicator; Long press the channel 3 key to switch the breathing light (as shown in Figure 5).
Reminder: When the remote control is charging the car, when the battery voltage is lower than $4.5V \pm 0.2V$, the charging indicator light will flash quickly, please replace the battery.

Type-C port charging push rod (as shown in picture 4)

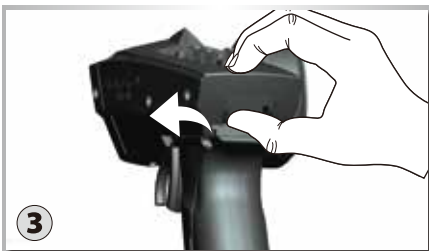
Coin button of battery compartment (as shown in picture 3)





2 Install and remove the remote control handle

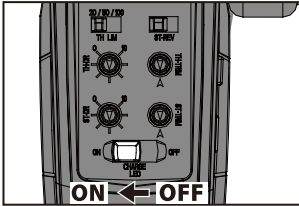
1. Press the button
 2. Remove the handle
 3. Press and hold the remove button and push the handle inside
- Tips: Pay attention to the direction of the handle



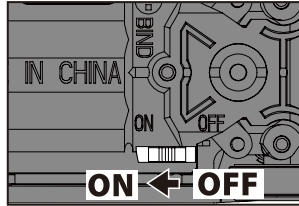
Note: If the handle of remote is in a wrong direction, it will not be powered on. Please install the handle correctly according to the instructions.

3 Binding

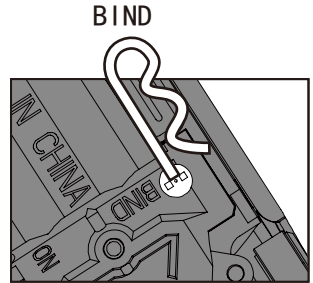
C81-Binding



1. Switch on the transmitter.

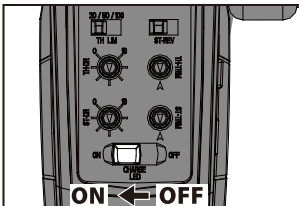


2. Turn on the power switch on the car, and the rear light on the car flashes.

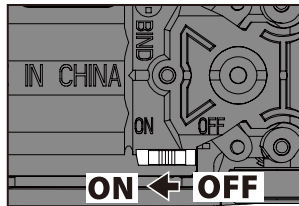


3. Insert the binding plug into the BIND channel slot on the car, if the LED rear light, and stays lit permanently, the binding procedure is completed.

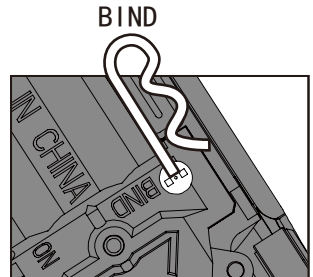
C81-Binding



1. Switch on the transmitter.



2. Turn on the power switch on the car, and the rear light on the car flashes.



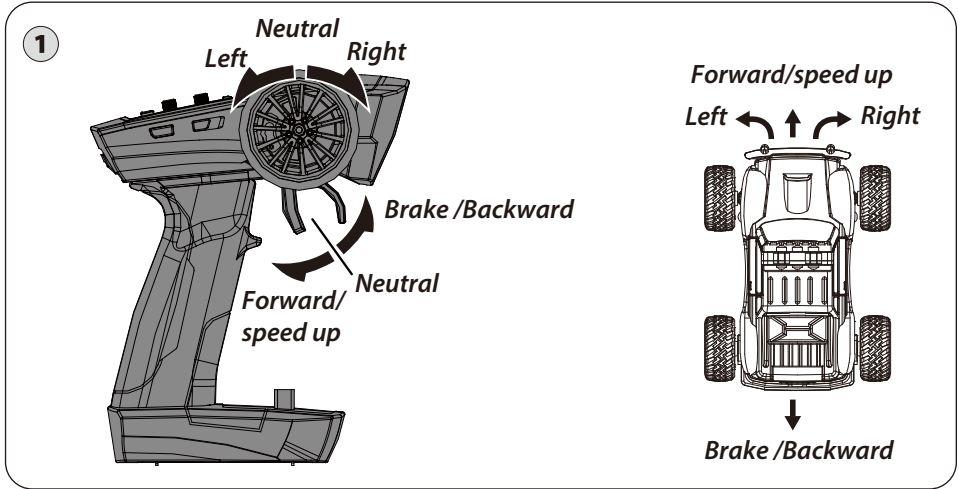
3. Insert the binding plug into the BIND pinhole code checking, vehicle The front lamp LED of the vehicle changes from flashing to long On, indicating the remote control and vehicle Paired successfully.

Tip: If fail binding , please turn off the power switch of the car and remote , and restart the binding.

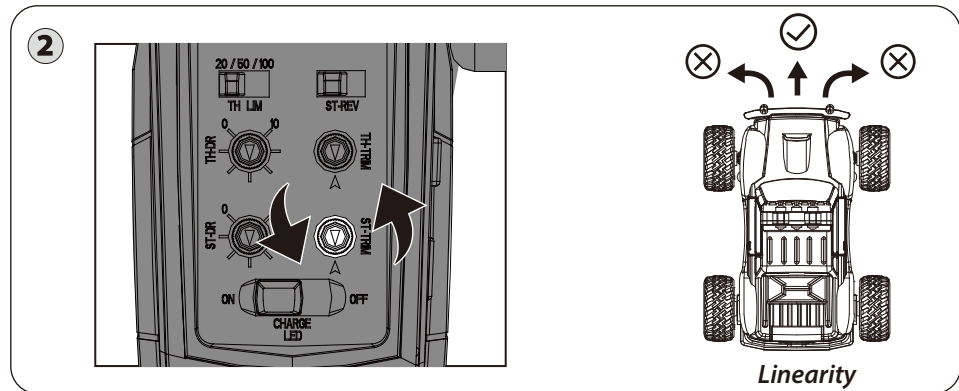
Note: The wireless rc car has been connected to the remote. The above procedure is only necessary when use a new remote or car.

Turn off the car: Please turn off the power switch of the car first, and then turn off the power switch of the remote to prevent the car from losing control.

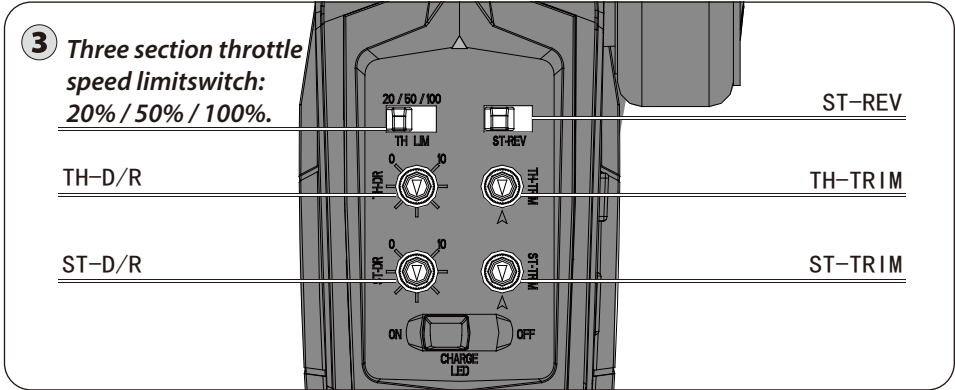
4 Car running settings



- **Throttle trigger:** Control forward / brake /backward.
- **Steering wheel:** Control left / right steering.



- **ST/TRIM:** When the steering wheel in the middle position, if the front wheel is not in a straight line, please adjust it with ST/TRIM "+" or "-" button.



- Three section throttle speed limit switch: 20% / 50% / 100%.

- **REV**

Steering REV: It is used to reverse the left and right directions of the car.

- **TH/DR**

Throttle DR is used to adjust the throttle and car speed freely. (This function can only work when throttle speed limit switch is in 100% position)

- **TH-TRIM**

When the throttle trigger is in the middle point, if the car is moving forward or backward, please adjust it with TH/TRIM "+" or "-" button.

- **ST/DR:**

Steering DR is used to adjust the front wheel steering angle to make the car reach the best turning radius.

Note: Excessive steering angle may cause the front wheel and body parts to affect each other when running, please adjust the steering angle reasonably.

- **ST/TRIM:**

When the steering wheel in the middle position, if the front wheel is not in a straight line, please adjust it with ST/TRIM "+" or "-" button.

SPECIFICATION

Product name	1:76 RC car	Scale	1:76
Driving distance	30m	Driving time	30min
Slope angel	30°	Size	53.5x40.5x28mm
Drive mode	Two-wheel drive	Weight	18g
Proportional steering	Proportional steering	Battery parameter	3.7V, 40mAh, lithium battery

LED LIGHT STATUS TABLE

Display	Status
C81 vehicle red light flashes once every 2 seconds C82 vehicle headlights flash once every 2 seconds	Please check whether the power of remote control has been turned on, if yes, you need to re-code the remote control with the car
The rear lamp of C81 vehicle is on for a long time C82 vehicle headlights are on for a long time	The remote control is connected to the car and can be operated
The front and tail lights are off	The rc car is power off, the power is insufficient, channel 4 and first-stage switche are in the off state channel 3 switche are in the off state

PRODUCT PERFORMANCE FAILURE TABLE

Product Name	Product performance failure
1:76 RC sports car	1. The product cannot be turned on. 2. Cannot charge. 3. Unable to operate. 4. Dysfunction.

MAINTENANCE

1. Before using the product, please ensure that all components have been tightened, check and clear foreign matter in the gap between the wheel and chassis.
2. When the car is to be stored for a long time, it should be kept at 70% of its power to maximize battery life. And charge the battery once every 1-3 months to avoid battery damage. (It is recommended to fully charge the battery and store it after 5-10 minutes of use).
3. If the remote control will not be used for a long time, please remove the batteries to avoid oxidation.

TROUBLESHOOTING

Fault symptom	Cause of failure	Solutions
The transmitter connection failed	<ol style="list-style-type: none"> 1. Distance is too far 2. Multicars pairing at the same time 	Make sure that the product is in car receiving mode.(The headlights flash).
Freeze	Foreign object between the wheels	Check the wheels for foreign objects
No reaction when remote control left and right steering / no response when steering	The steering angle is set too small	Reset the steering angle
The steering is in the opposite direction of the remote steering operation	The remote steering reverse switch is not properly set	Set the remote steering reverse switch to the correct direction
When the throttle is in neutral position, the car immediately starts to move forward or backward	The throttle fine-tuning does not set to the center position	Set the remote throttle fine-tuning to the center position
The car cannot move in a straight line/The left and right steering radius is significantly different	Steering fine-tuning is not set to the center position	Set the steering fine-tuning to the center position
The maximum speed cannot be reached	<ol style="list-style-type: none"> 1. The throttle DR setting is too small 2. Battery Low 3. Foreign objects between the wheels 	Set the throttle DR size on the remote throttle DR, and check for foreign objects and battery level
Overheating in the motor part	Ambient temperature is too high	The car should be immediately turned off and placed in a cool, well-ventilated place for cooling to avoid damage to electronic parts
The power-on light is not on	The voltage is less than 3.0V and there is not enough power	Charge in a timely manner
Shutdown		

PRECAUTION

- The car contains lithium batteries. Disassembling, striking, squeezing or throwing the car into the fire is prohibited. If severe swelling occurs, do not continue to use it. Do not place it in high-temperature environment.
- Due to the special feature of lithium batteries, overly high or low temperature will affect the battery charge and discharge performance and battery life, so please do not use or store this product under environments such as high temperature, low temperature, high humidity or direct sunlight.
- The charging cable, plug, body shell, and other parts must be checked regularly for damage. If the damage is found, stop using until the repair is complete.
- The car has low battery voltage protection.
- When the battery voltage is lower than 3.0V, it will automatically cut off the current and the car will seize all functions to protect the battery.
- When using remote control nearby high-voltage power lines, light rails, microwave ovens electric waves of the same frequency will lead to dysfunction of the car. Please change the location or choose another time to operate.
- Our company holds no responsibility if accidents such as injury to others or damage due to operating errors.

NON-WARRANTY REGULATIONS

- Unauthorized repair, misuse, collision, negligence, abuse, fluid intake, accidents, alterations, incorrect use. Non-product accessories, or tear, alter marks and anti-counterfeiting marks;
- The validity period of "three guarantees" has passed.
- Damage caused by force majeure;
- Does not meet the performance failures listed in "performance failure table of 1:76 RC sports car";
- Performance failure of the product and its accessories that meets the "performance failure table of 1:76 RC sports car" due to human factors.

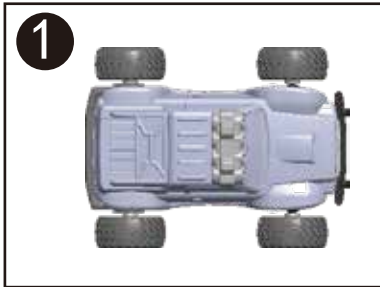
1. Return and exchange services require confirmation.

When the client applies for return and exchange, it is necessary to follow the 1:76 RC sports car warranty instructions and the customer service should confirm whether it meets the after-sales conditions and then arrange relevant service.

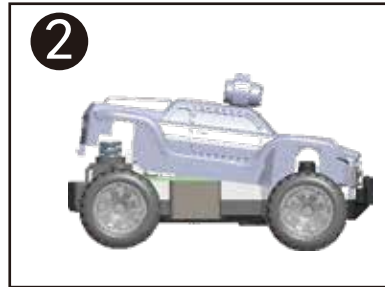
Notice: The products, accessories, remote control, etc. in the instruction manual are schematic diagrams and for reference only. Due to product updates and upgrades the physical and schematics of the product may differ slightly, please refer to the actual product.

Disassembling

1. Disassemble The car body shell:

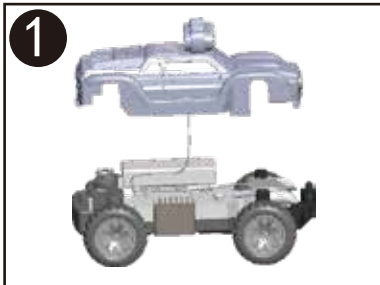


1. Grasp the front wheel (rear wheel) of the vehicle shell by hand Just break it up

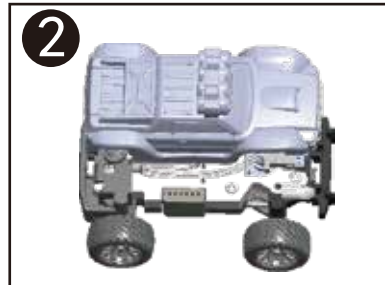


2. After breaking off the upper shell, take it out

2. Install the car body shell:



1. Insert the lamp plug into the PCB interface (Note: There are "+" - "poles and" + "on the left and right of PCB Pole to red line, "-" pole to black line; line placement (on the right side of the battery)



2. Align the buckle position of the upper shell with the front and rear holes and insert it Just enter

Remote vehicle charging removal procedure



1. When the remote control vehicle is in charge state.



2. When the remote control vehicle is fully charged, pull out the remote control. When driving, hold the remote control underbody with your left hand. Grasp the remote control.



3. Pull out the mold remote control car with the left hand upward.



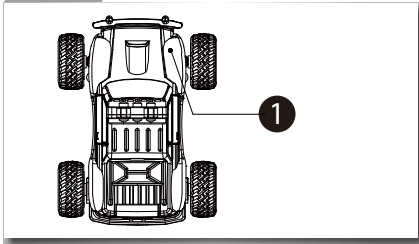
4. Hold the vehicle bottom and grasp the charging extension connector.



5. Pull it up to make the remote control vehicle and charge. The extension joint is separated.

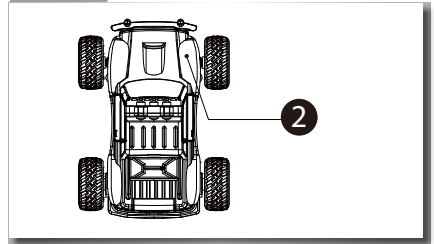
Steering radius adjustment

Step 1



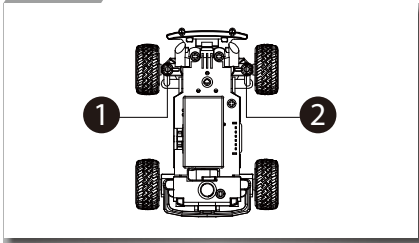
1. Method to test the steering radius of car wheels: Adjust the speed of the remote control to 50%, and adjust the vehicle to move in a straight line. Then, turn the vehicle left and right to see if the steering radius is consistent. If not, you need to debug the steering radius.

Step 2



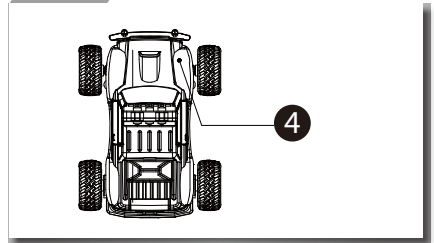
2. Take out the car body shell above the car.

Step 3



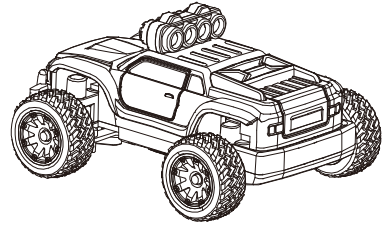
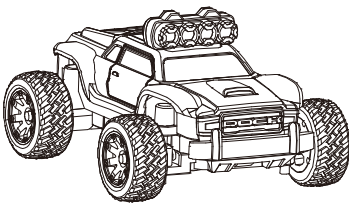
1. The left turning radius becomes smaller by tightening the screw clockwise, and the left turning radius becomes larger by loosening the screw counterclockwise.
2. The right turning radius becomes smaller by tightening the screw clockwise, and the right turning radius becomes larger by loosening the screw counterclockwise.

Step 4

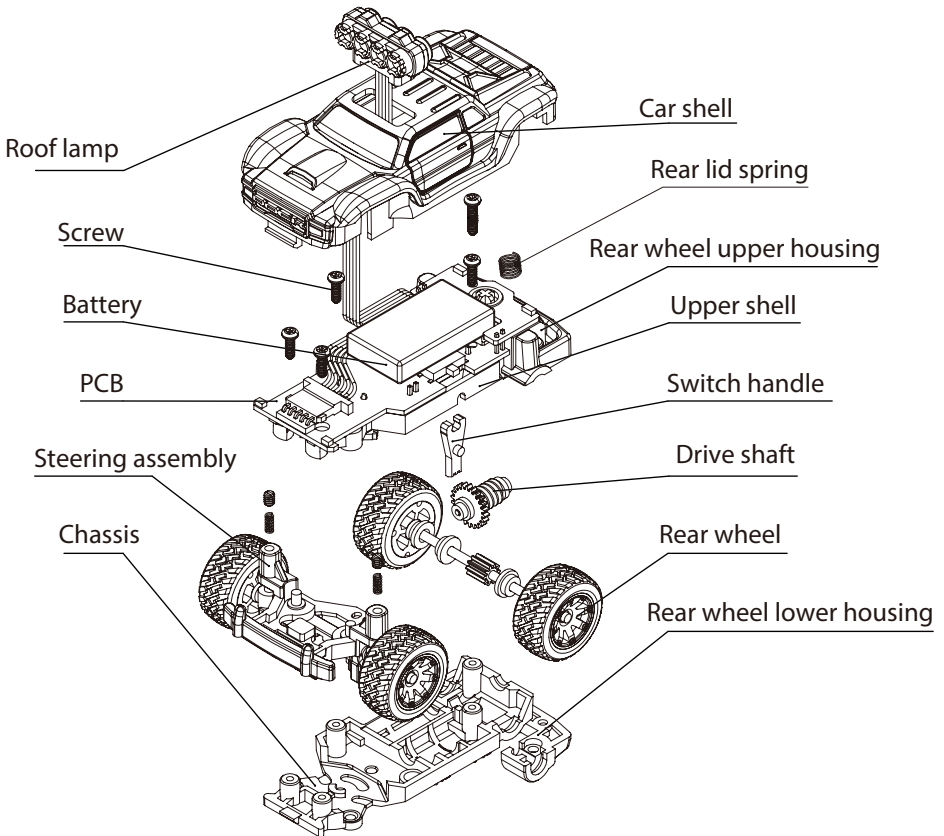


4. After adjusting the steering radius of the vehicle, cover the car body shell, and test whether the adjusted steering radius is consistent. If not, repeat the steps.

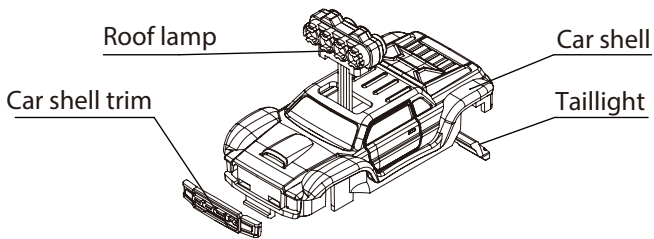
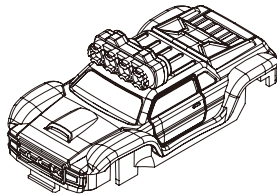
General assembly drawing



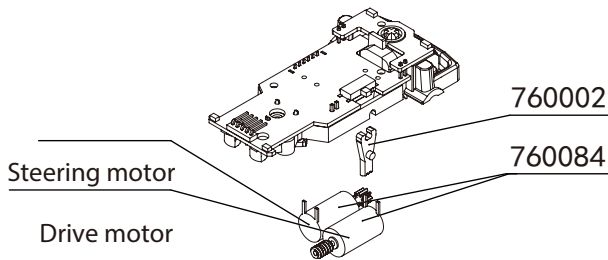
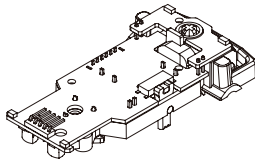
Exploded view of final assembly



Car shell explosion



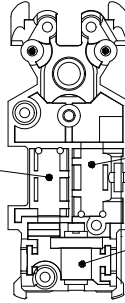
Upper shell



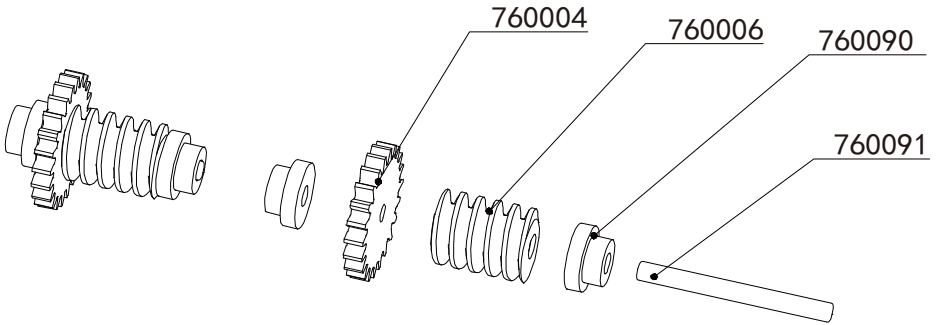
Installation
position of drive motor

Installation position
of steering motor

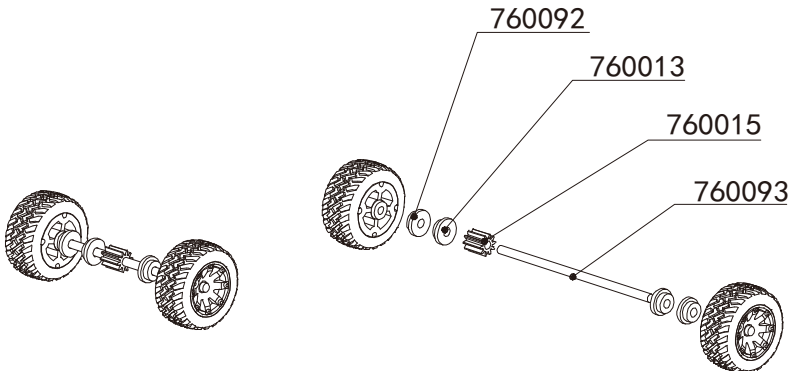
Installation position
of drive shaft



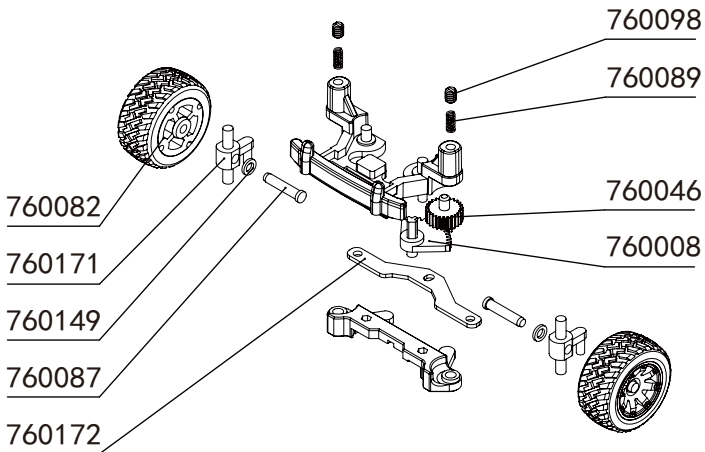
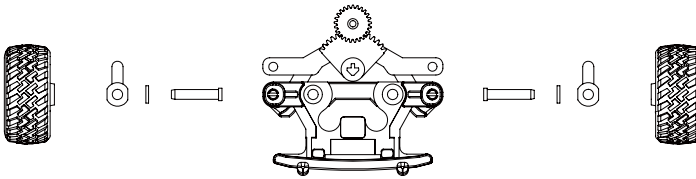
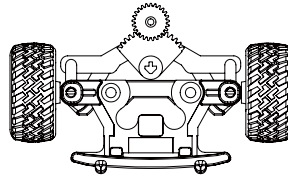
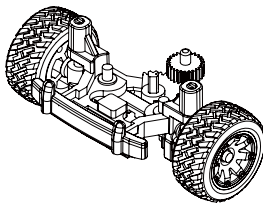
Transmission shaft



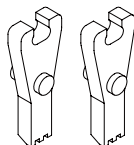
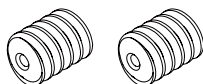
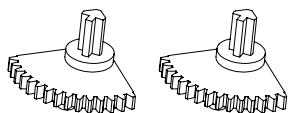
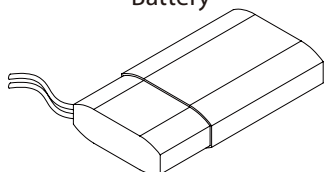
Rear wheel



Steering assembly



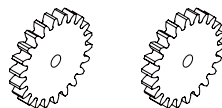
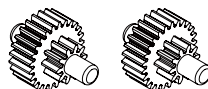
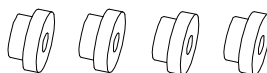
ORIGINAL SPARE PART

760002
Switch handle 2pcs760006
Worm gear 2pcs760008
Fan teeth 2pcs760018
Battery760074 Grey
Guardrail Total 50pcs

(Straight 45pcs)



(Curved 5pcs)

760004
Gear 2pcs760046
Gear 2pcs760013
Rear wheel outer shaft sleeve (inner)4pcs760021
Charging line760075 White
Guardrail Total 50pcs

(Straight 45pcs)



(Curved 5pcs)



760076 Red
Guardrail Total 50pcs

(Straight 45pcs)



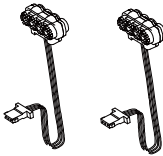
(Curved 5pcs)



760082
Wheel 4pcs



760083
C81 Roof lamp 2pcs



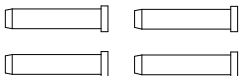
760085
Screw 12pcs



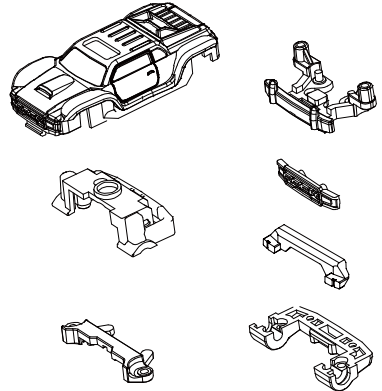
760174
Screw 2pcs



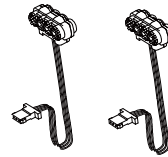
760087
Front wheel fixed shaft 4pcs



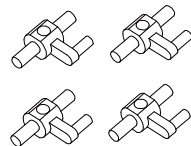
760081
Car Shell assembly 1pcs



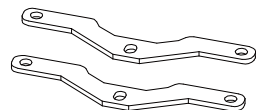
760169
C82 Roof lamp 2pcs



760171
Left and right components 4pcs

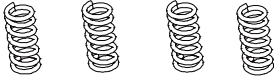


760172
Rocker arm 2pcs



760089

Front wheel damping spring 4pcs



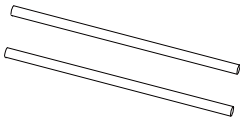
760091

Axis (Drive shaft) 2pcs



760093

Axis (Rear wheel) 2pcs



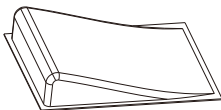
760098

Steering radius adjusting screw 4pcs



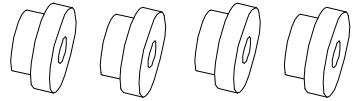
760097

No. 2 Jumping platform 2pcs
170x135x40



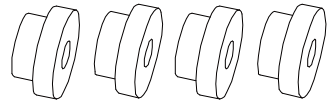
760090

Axle sleeve 4pcs



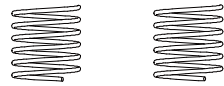
760092

Rear wheel outer shaft sleeve (outer) 4pcs



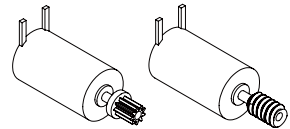
760095

Rear lid spring 2pcs



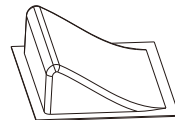
760084

motor 2pcs

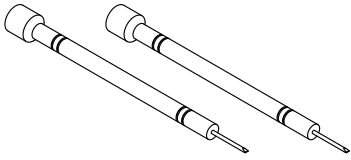


760096

No. 1 Jumping platform 2pcs
130x140x50mm



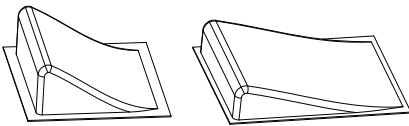
760100
A screwdriver 2pcs



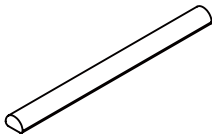
760101
Track(950x500mm)



760103
1 # platform+2 # platform



760141
PU guardrail(5m)



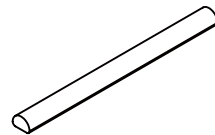
760050
Track (1200x800mm)



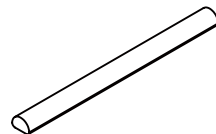
760102
Track(1600x900mm)



760140
PU guardrail(13m)



760139
PU guardrail(10m)



CHOOSE A VARIETY OF STYLES

1 RC car



C10
Fluorescent green



C10
Fluorescent red



C10
Cement gray



C10
Dark green



C10
Mint green



C10
Orange



C10
Purple



C10
Light yellow



C10
Light blue



C10
Blue

2 RC Sports car



C71-RD
Red



C71-YE
Yellow



C71-WH
White



C72
Violet



C73
Cement grey



C74-BK
Black

3 Off Road RC CarC81-BK
BlackC81-YE
Yellow**4** Drift RC Car

C61



C62



C63

C64-BU
BlueC64-GN
Green**5** Police RC Car

C82



Shenzhen NewStone Technology Co., Ltd.

Manufacturer: Shenzhen NewStone Technology Co., Ltd.

Address: Yuhong Industrial Park, No.20 Xingye West Road, ShaJing Town, Bao'an District, Shenzhen, Guangdong Province

If this product can not operate normally during the warranty period, please contact the local distributor or manufacturer that sold this product to obtain warranty service. When the product is under warranty, please show the product warranty card and proof of whether it is within the warranty period.

1. If your product was sold by a distributor, please consult with the distributor or manufacturer to resolve it. (It is recommended to negotiate with the local distributor)
2. Manufacturers have the responsibility to "repair" or "replace" the product.
3. The warranty period of all products provided by the manufacturer is 15 days.
4. When the product is under warranty, manufacturers and distributors have the responsibility to "repair" or "replace" the product.